



AfriNIC

Africa
Network
Information
Center

AfriNIC Update – July 2004

**ICANN Meeting
Kuala Lumpur**

Background

- Africa is served by 3 RIRs
 - ◆ Need for more coordination
 - ◆ Need for consistency

- In 2000 in Cape Town, African ISPs present at the first members meeting, agreed to setup a registry which will serve Africa as a whole
 - ◆ A committee was setup to draft the first bylaws that should govern AfrinIC.

Support from the community

- Since 2000 AfrinIC has been receiving support from ISPs and organizations in the continent.
 - ◆ 68 Organization signed the funding declaration in 2000 and 2001.
 - ◆ 27 letters of support from 25 countries
 - ◆ 13 registered (paid up) members (since May 2004)

- List of funding members and supporting organisations are available online at:

www.afrinic.net/foundmembers.htm

www.afrinic.net/support/index.htm

Activities Since 2000

- May 2001 (Accra AfNOG II):
Appointment of an Interim BoT to
setup the organization and conduct
the transition.
 - ◆ Sub-regional representation
 - ◆ 2 per sub-region
 - ◆ for three years

2002

- **January:** *1st Board Meeting , Cairo, Egypt*
 - **Presentation of the first AfrinIC incorporation plan**
 - **A Board Member was designated to discuss with RIRs and conclude an agreement with RIPE NCC for incubation period.**
 - **Decision to hire staff to work full time for AfrinIC**

- **May:** *(AFNOG III)
Board Meeting and status report to local community, Lomé
TOGO*
 - **Agreement signed with RIPE NCC to incubate AfrinIC for two years and train its staff**
 - **Received public statement of support from ARIN.**

- **August:** *2nd public Board Meeting , Nairobi, Kenya*
 - ◆ *Activity plan adopted*
 - ◆ *Agreed on people to be trained*

2003

- **February:** AfrinIC staff started training at RIPE NCC.
- **June:** Emerging RIR workshop organized by LACNIC in Montevideo (attended by AfrinIC and the other RIRs representatives)
- **June:** Outreach meeting in Kampala (AfNOG IV) Hosting countries were selected after a call for proposal lunched in Feb 2003:
 - ◆ **Mauritius** as main office and head quarters.
 - ◆ **South Africa** for technical Operation
 - ◆ **Egypt** as Disaster recovery and data replication center
 - ◆ **Ghana** for Training coordination center

2003 (cont.)

- **September: Outreach meeting (I-Week – Johannesburg)**
 - ◆ Reviewing Terms of Reference for Hosting Countries.
 - ◆ Discussions about policies development process.
 - ◆ Outreach and input from local community
 - ◆ Visit of hosting facilities offered by SA (Cape town/Pretoria)
- Activity Report sent to local ISPs/LIRs.
- **First draft of transition Plan**
- New **web site** designed.
- Launch an **information letter** (Vol.1 & 2)
- Appointment of a **Project Manager** (Oct 2003)
- December: completion of training at RIPE NCC

2004: Achievement

- **January:** AfrinIC project Manager visits ARIN office to discuss transition plan.
- **February:** a Policy working group was setup (composed of volunteer from the community).
 - ◆ the policy development process has been improved and adopted.
 - ◆ First set of policies has been received and posted on the policy discussion mailing list.

Achievement (cont.)

- **February 2004:** AfrinIC was registered as a non-governmental and not-for-profit company in Mauritius (RN: **49338**) :
 - ◆ The company is governed by its members, who have control on its operations by defining/approving policies and activities plan.
 - ◆ The members elect an Independent board of Trustees composed of representatives from the 6 sub-regions of the continent.

Achievement (cont.)

- **April:** supportive documents regarding resources policies and corporate governance were published on AfrinIC web site.
www.afrinic.net/documents.htm
- **May:** First public policy meeting
 - ◆ IPv4, IPv6, ASN and reverse delegation Policies were discussed and adopted
 - ◆ 2004-2005 budget was adopted
 - ◆ New article of constitution was adopted
 - ◆ A new board was elected
- **June:** AfrinIC received it first equipment.
- **June:** AfrinIC attends ARIN regional meeting in Africa (Dar Es Salaam).
- **July:** Activities report letter sent to ICANN
- **July:** AfrinIC servers setup and relocated to the hosting facility in South Africa.

AfriNIC Structure and team

•West Africa

- 1.Pierre Dandjinou (BJ) - **Chair**
- 2.Sunday Folayan (NG)

•Central Africa

- 1.Didier Kasole (CD)
- 2.Pierre M. KASENGEDIA (CD)

•Indian Ocean

- 1.Dr. Viv Padayatchy (MU)
- 2.Keny Yiptong (MU)

•Southern Africa

- 1.Alan Baret (ZA)
- 2.Alan Levin (ZA)

•North Africa

- 1.Kamal Okba (MA)
- 2.Mokhtar Hamidi (DZ)

•East Africa

- 1.Brian Longwe (KE)
- 2.Charles Mussi (UG)

WG / Committees

- **Policies**
- **Meetings**
- **BEC**
- **Financial**



CEO

Adiel AKPLOGAN



**Business and
Administrative Assistant**
Nooriah Woozeer

CFO



**IP Analyst &
Engineering**

Ernest Byaruhanga
Adiel AKPLOGAN

Working Groups & Committees

- Policy working group
 - ◆ Gregory Massel (ZA)
 - ◆ Mouhamet DIOP (SN)
 - ◆ Grar Younes (DZ)
 - ◆ Alan Levin (ZA)
 - ◆ Ernest Byaruhanga (AfrinIC - UG)
 - ◆ Adiel Akplogan (AfrinIC – TG)
 - ◆ Allan Barrett (AfrinIC BoT – ZA)

- Board Election Committee
 - ◆ Adiel Akplogan (AfrinIC)
 - ◆ Jacob Mtui (Tanzania)
 - ◆ Representative from the NRO's EC
 - ◆ Alain Aina (Benin)

- Meetings Committee
 - ◆ Pierre Dandjinou, Adiel Akplogan

Office setup

- AfrinIC has its offices setup in South Africa (where 2 staff are working) and Mauritius with one staff.

AfrinIC permanent address:

2nd Floor, Les Jamalacs Building

Vieux Conseil Street

Port-Louis – Mauritius

Tel (MU): +230 202 6528

Tel (SA): +27 12 841 2894

Fax (SA): +27 12 841 3203

Outreach program

- Outreach: Ongoing
 - ◆ AfrinIC News: Vol1 & Vol.02 released
 - ◆ Web site kept current www.afrinic.net
 - ◆ Regular Update to the community

- Reinforced AfrinIC relationship with RIRs by attending their meetings and updating their members with progress on AfrinIC.

Different presentations are available at:

www.afrinic.net/meetings

- Reinforced AfrinIC's presence at various ICT meetings across the continent

Result

- Increased number of letters of support from ISPs and LIRs
 - ◆ www.afrinic.net/support/
- Started receiving membership:
 - ◆ www.afrinic.net/membership.htm
- Support for /22 as IPv4 minimum allocation size for ARIN, RIPE NCC and APNIC African members.
- Harmonization of IP block (196/8) used for allocation to LIRs in Africa.
- The NRO signed an MoU with AfrinIC in March 2004 to financially support part of its startup.

Transition plan

- Because Africa is served by 3 different Registries, there is:
 - ◆ Need for coordination
 - ◆ Need for consistency
- Transition is organized in 4 (Business and Technical) Phases:
 - Phase 0: *Preparation (Ended)*
 - Phase 1: *Co-evaluation & AfrinIC Database/Whois setup*
 - Phase 2: *Uniform policy and Evaluation process*
 - Phase 3: *Provisional Recognition & Independent evaluation with Audit by RIRs*
 - Phase 4: *Final approval*

Phase 0 *(Done)*

- Training and staffing: AfrinIC has hired staff that has been trained at RIPE NCC in RIR operation
- Physical Office setup
 - ◆ South Africa
 - ◆ Mauritius
- Infrastructure & Technical Transition design
 - ◆ Network architecture design
 - ◆ Internet transit Identification
 - ◆ Servers and Network equipments acquisition
 - ◆ Tools and software identification

Phase 0 cont *(Done)*

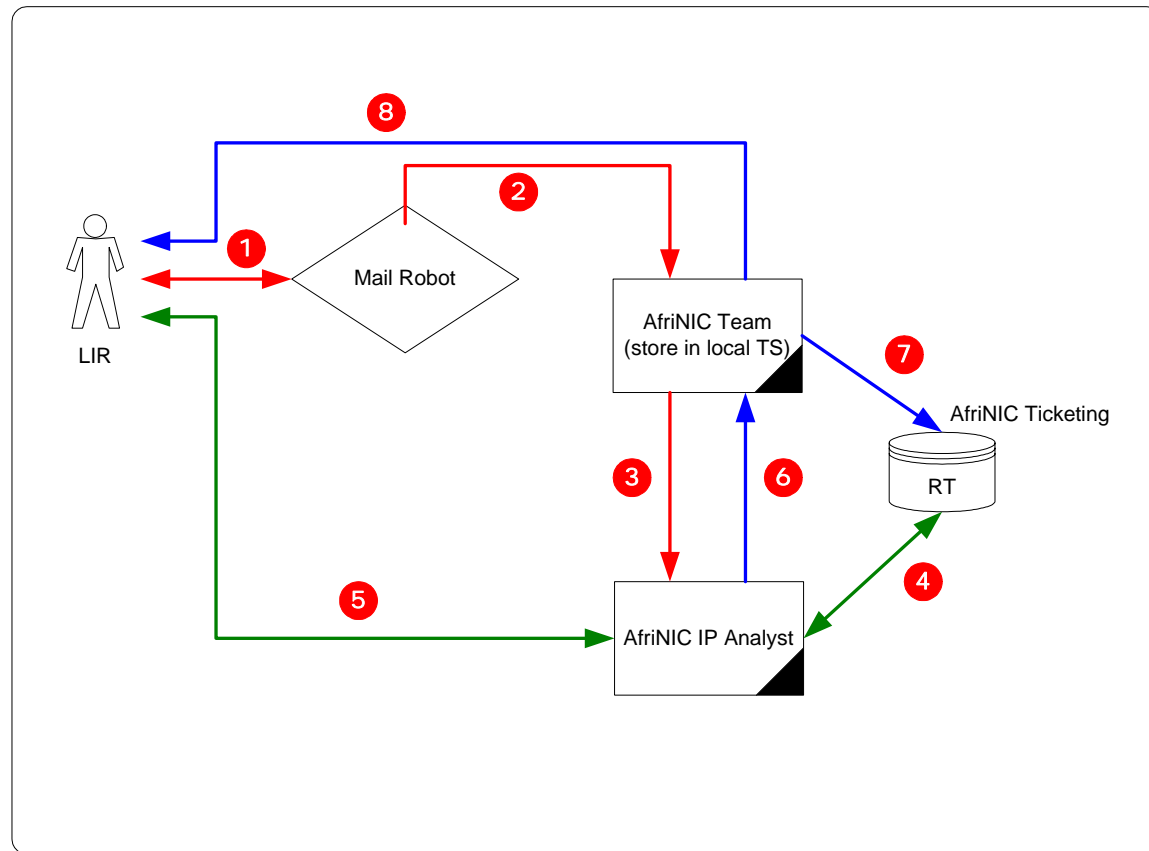
- Policies documents
 - ◆ Policies
 - ◆ RSA
 - ◆ Supporting documents

- Budget and financial plan

→ Start of Phase 1

Phase 1:

- Start of co-evaluation



AfrinIC and the ICP-2 requirement

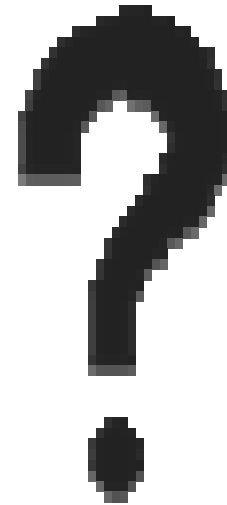
- ① Region of coverage
- ② - Support from the community
- ③ - Self governance
- ④ - Impartiality
- ⑤ - Technical expertise
- ⑥ - Adherence to Global Address allocation policy
- ⑦ - Activity Plan
- ⑧ - Funding model
- ⑨ - Record Keeping
- ⑩ - Confidentiality

Tremendous progress have been made by AfrinIC since 2003.

We like to publicly announce here that we are ready to initiate the formal recognition process by ICANN, by submitting our document for formal recognition in the coming days with the strong hope that we will receive a provisional recognition as soon as possible.

We are almost there

End



Questions / Comments